

# Sertronic®

Gas production, purification and filling



## Purifiers brochure

[www.sertronic.com](http://www.sertronic.com)



## Our gas purification experience to your benefit

Our first purification reactors were developed with the american company previously named ENGELHARD now BASF, a noble metal catalyst producer until 2006. In order to meet the increasing global demand of purification units, the company *Sertgas industries*® was created in 1985 and became *Sertronic*® in 2001. Our first complete hydrogen production, purification and filling installation, was installed in 1988 for a well known french gas company. This installation is still in operation, attesting to the reliability of our equipment.



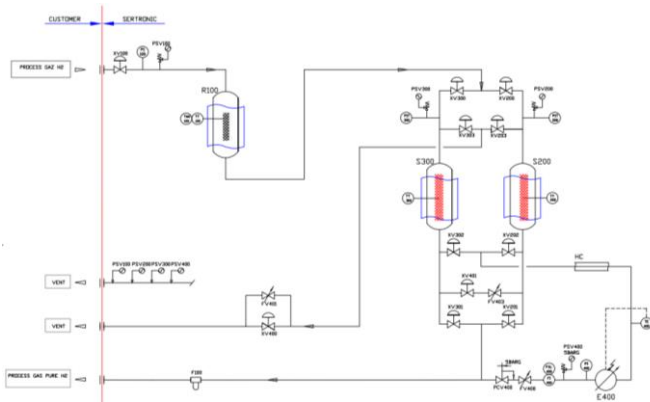
*Sertronic*® offers a complete range of gas purifiers with capacities up to several thousand Nm<sup>3</sup>/h, at service pressures up to 400 barg. In optimum conditions, gas purity can reach a total impurity level below 1 ppb. Our purifiers are designed and built in our manufacturing workshop according to international standards (PED, ASME, TrCu, ATEX...). Thanks to many years of business relationships in various industries, our engineering department takes in charge all kind of projects relating to gas production, purification and filling. Our main domains of expertise include gas purification for industries and research laboratories, hydrogen production by electrolysis and hydrogen fueling stations for expended mobility. The carrying out of your project by a single team of experts makes you benefit from a deep and global vision of your systems, while diminishing the number of actors.

In close collaboration with its clients, SERTRONIC constantly surveys, develops and optimizes its systems in order to offer reliable and easy to use “turnkey” solutions for the production, treatment and processing of industrial gases. These installations are usually managed through an automatic system with touch screen, giving to the operators a comprehensive and simple interface.

**With more than one hundred units operating across the world, Sertronic ® is now recognized as an expert in gas purification.**



## MAIN TECHNICAL DATA



Feed gas:	Hydrogen
Removed impurity:	H <sub>2</sub> O, CO, CO <sub>2</sub>
Purification process:	Catalysis + Adsorption
Impurity outlet level:	< 10 ppb
Availability:	> 99.5%
Design pressure:	1 up to 350 barg
Design flowrate:	5 up to 25000 Nm <sup>3</sup> /h
Lifetime:	> 20 years
Standards: (if applicable)	CE / ASME ATEX 2014/34/UE / IECEx
Conformity:	EN 2006/42/EC EN2014/35/UE EN2014/30/UE

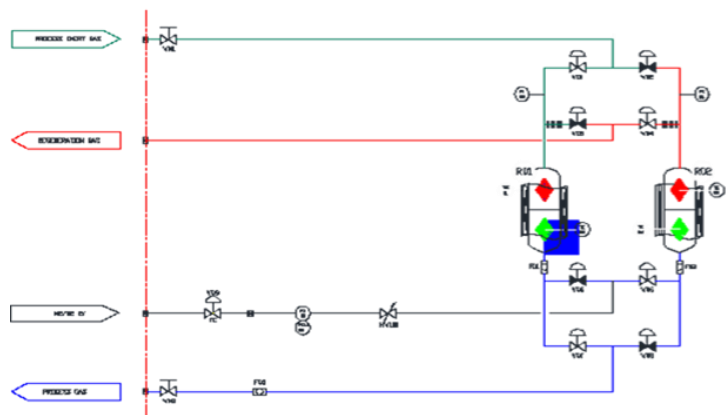


Hydrogen purification unit  
DS 2000-90



Hydrogen purification unit  
DS 4000-45

## MAIN TECHNICAL DATA



Feed gas:	Inert gases
Removed impurity:	H <sub>2</sub> O, O <sub>2</sub> , CO, CO <sub>2</sub>
Purification process:	Chemisorption + Adsorption
Impurity outlet level:	< 10 ppb
Availability:	> 99.5%
Design pressure:	1 up to 400 barg
Design flowrate:	5 up to 25 000 Nm <sup>3</sup> /h
Lifetime:	> 20 years
Standards: (if applicable)	CE / ASME ATEX 2014/34/UE / IECEX
Conformity:	EN 2006/42/EC EN2014/35/UE EN2014/30/UE



Filltronic® purifiers  
N 500-250

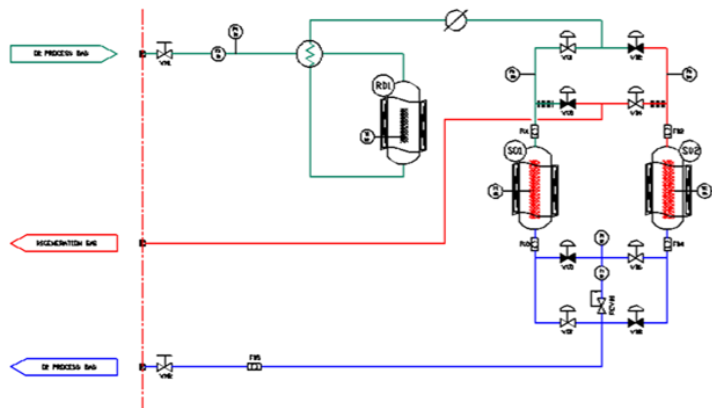


Filltronic® purifiers  
N 500-380



Nitrogen and Argon dryer  
SAC 30-230 / N 15-15

## MAIN TECHNICAL DATA



Feed gas:	Oxygen, Air
Removed impurity:	H <sub>2</sub> O, CH <sub>4</sub> , CO, CO <sub>2</sub>
Purification process:	Catalysis + Adsorption
Impurity outlet level:	< 10 ppb
Availability:	> 99.5%
Design pressure:	1 up to 350 barg
Design flowrate:	5 up to 5 000 Nm <sup>3</sup> /h
Lifetime:	> 20 years
Standards: (if applicable)	CE / ASME ATEX 2014/34/UE / IECEX
Conformity:	EN 2006/42/EC EN2014/35/UE EN2014/30/UE

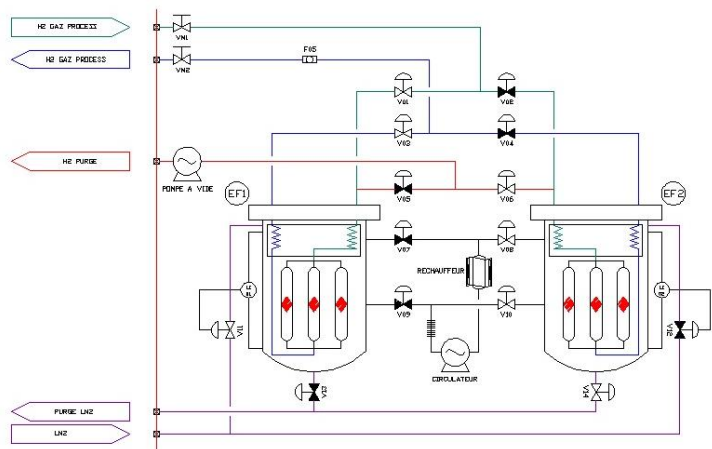


**2 Air purifiers  
M 5-10**



**Oxygen purifier  
M 5-10**

## MAIN TECHNICAL DATA



Feed gas:	Hydrogen, Helium
Removed impurity:	H <sub>2</sub> O, CO, CO <sub>2</sub> , N <sub>2</sub> , O <sub>2</sub>
Purification process:	Cryogenic adsorption
Impurity outlet level:	< 10 ppb
Availability:	> 99.5%
Design pressure:	1 up to 400 barg
Design flowrate:	5 up to 5 000 Nm <sup>3</sup> /h
Lifetime:	> 20 years
Standards: (if applicable)	CE / ASME ATEX 2014/34/UE / IECEx
Conformity:	EN 2006/42/EC EN2014/35/UE EN2014/30/UE

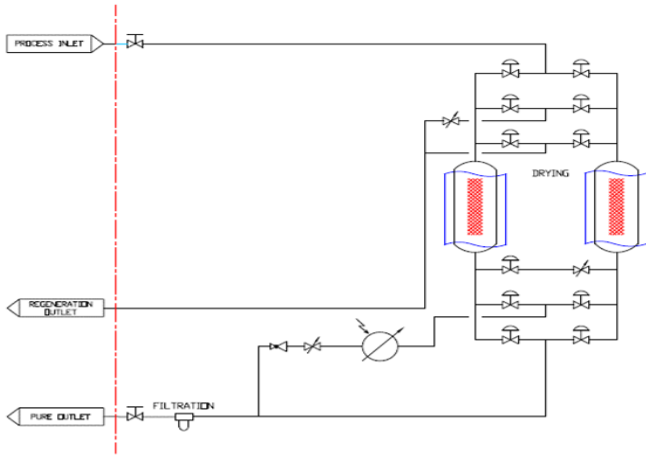


Hydrogen cryogenic purifier (3 columns)  
EF 1000-15



Hydrogen cryogenic purifier  
EF 1500-250

## MAIN TECHNICAL DATA



Feed gas:	Most of gases
Removed impurity:	H <sub>2</sub> O, CO <sub>2</sub>
Purification process:	Adsorption
Impurity outlet level:	< 10 ppb
Availability:	> 99.5%
Design pressure:	1 up to 400 barg
Design flowrate:	5 up to 50 000 Nm <sup>3</sup> /h
Lifetime:	> 20 years
Standards: (if applicable)	CE / ASME ATEX 2014/34/UE / IECEX
Conformity:	EN 2006/42/EC EN2014/35/UE EN2014/30/UE



**VF2 dryer**  
**TSA 2 200-2,5**



**Nitrogen dryer**  
**TSA 34 000-10**

## Our main partners



## Installation worldwide

